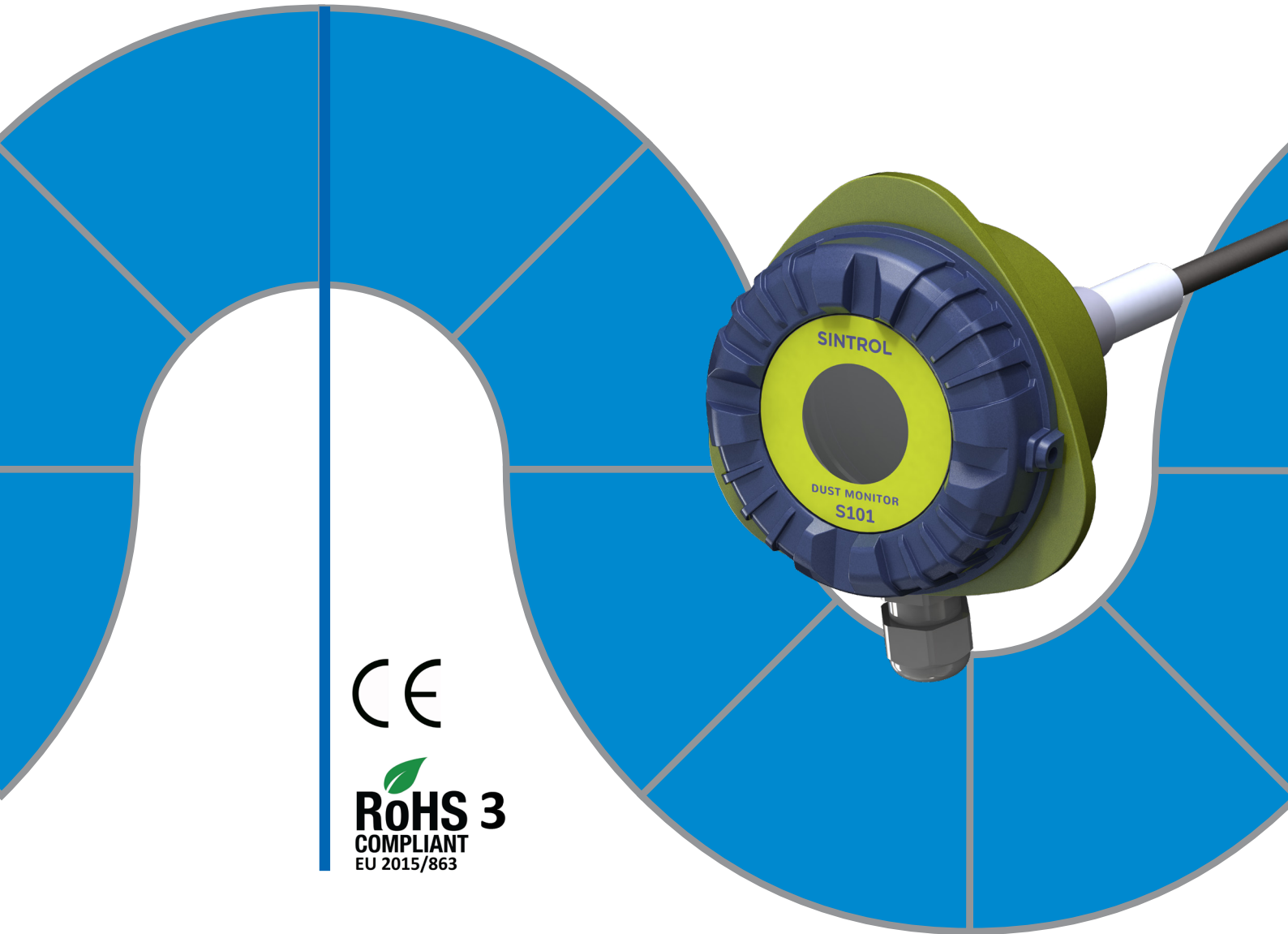
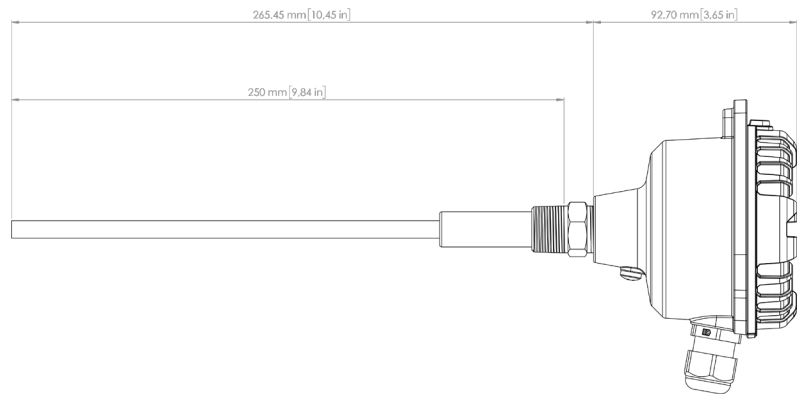
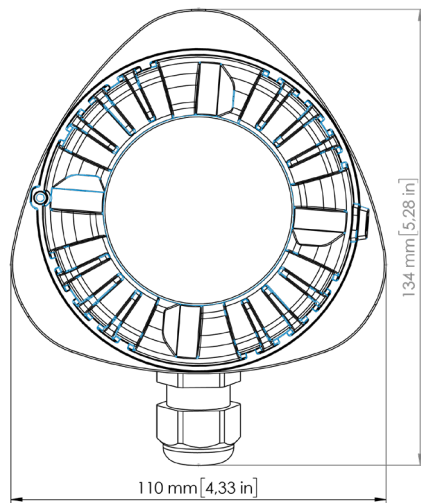


S101 / S103

Dust Detector for Filter Monitoring



- High performance dust detector
 - Detects any particulates in the air-flow
 - Very fast response to any dust leaks
- S101 comes with two relays to indicate dust alarms
- S103 comes with an active and isolated 4...20 mA output
- Rugged, IP66 rated design for harsh industrial conditions
- Visible Green, Yellow and Red LED to indicate dust levels
- Easy start-up and commissioning due to
 - Self teaching Auto Setup function
 - Selectable FAST, MEDIUM and SLOW response models



SIN101/103/10012022

Product Name		S101 PC901005 / S103 PC901010
Measured objects	Solid particles in gas flow	
Measurement principle	Inductive Electrification	
Measurement range	Detection limit 0,01 mg/m ³ Max. range up to several g/m ³ depending on operating conditions	
Ingress protection	IP66	
Power supply	24 V DC ±10 %	
Power consumption	1 W	
Output signals	S101: 2 × adjustable solid-state relays, max. 30 V DC / 200 mA S103: Active and isolated 4...20 mA output	
Communication interface	RS-485	
Communication protocol	<ul style="list-style-type: none"> Modbus RTU Sintrol network 	
Physical characteristics		
Enclosure	Aluminium	
Probe length	250 mm. (9,84 in), can be shortened by the user	
Wetted parts	<ul style="list-style-type: none"> Probe: Stainless steel (316L) Insulation: Polyether ether ketone (PEEK) 	
Weight	0,7 kg (1.54 lb)	
Ambient conditions		
Temperature	-40 ... 60 °C (-40 ... 140 °F)	
Humidity	Max. 90 % relative humidity (non-condensing)	
Process conditions		
Temperature	Max. 250 °C (482 °F)	
Pressure	Max. 200 kPa (29 psi)	
Flow speed	Min. 3 m/s (9.84 ft/s)	